



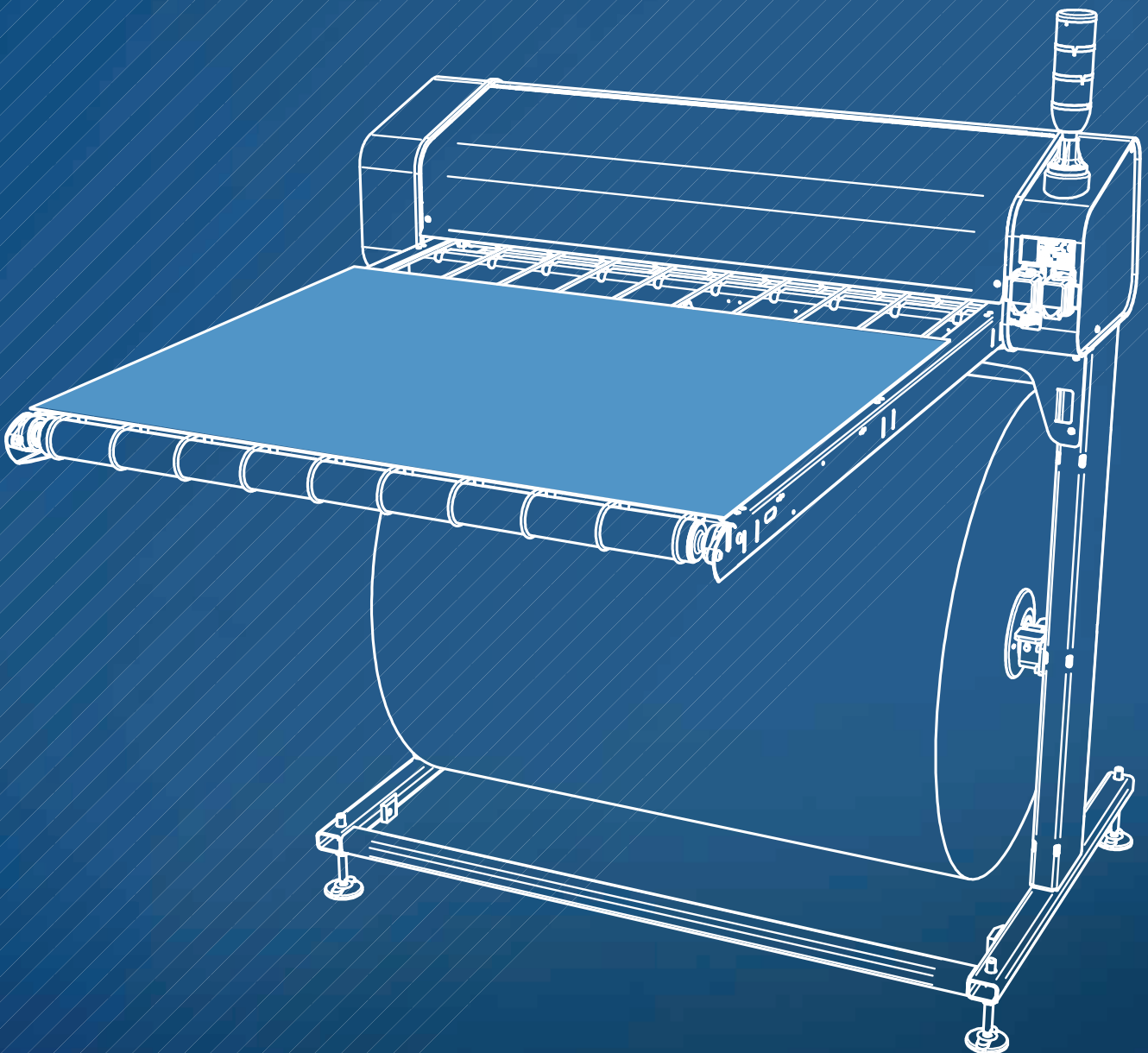
EXCALIBUR[®]

TIE-SHEET DISPENSER

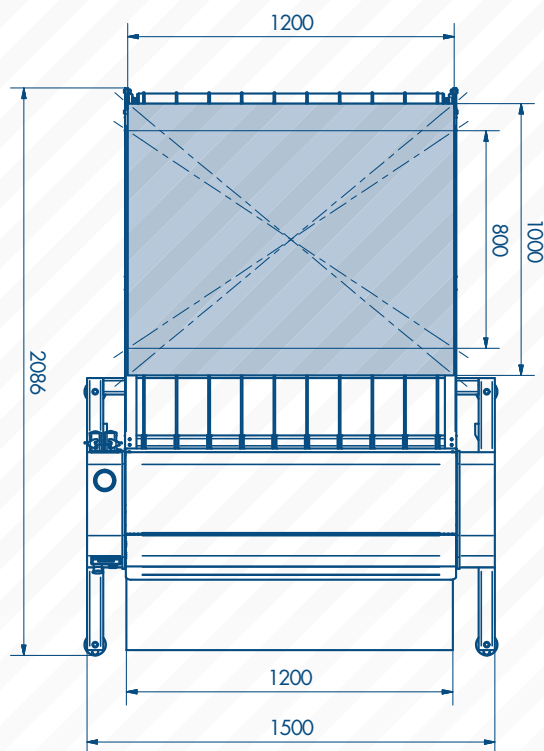
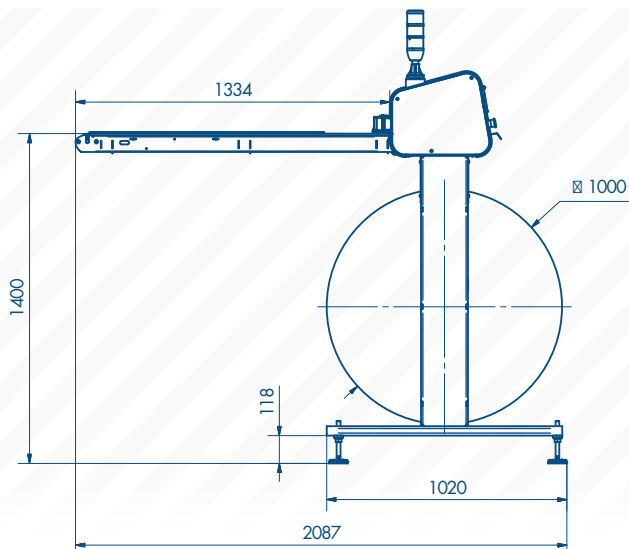
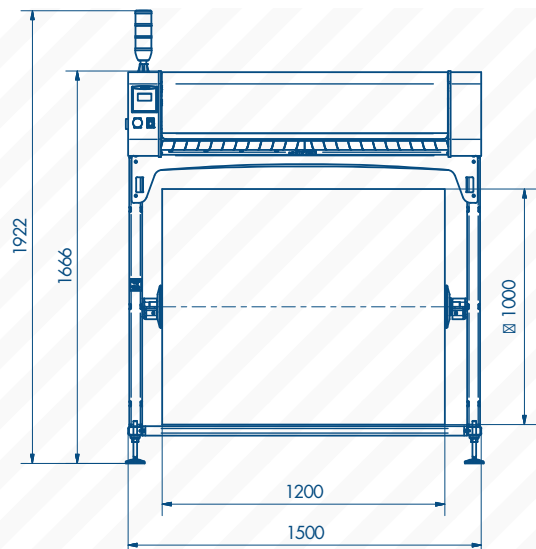
BASIC | 1200

PAPER SHEETER TO BE INTEGRATED INTO PALLETIZING LINE

Stand-alone sheeting of 1200x800 mm & 1200x1000 mm sheets



MODEL BASIC | 1200



TECHNICAL SPECIFICATIONS

Roll width	1200
Roll diameter	1000 mm
Sheeting length	From 600 mm to 1220 mm
Cutting accuracy	± 1 mm
Number of sheets	1
Data base	10 pre-programmed references
Tie-sheet position	Centered or Sheet edge
Position accuracy	± 1 mm
Paper type	From 60 to 300 g/m ² Kraft & anti-slip paper
Through-put speed	6 sheets / minute
Operating mode	Stand-alone
Power supply	230 V, single phase
Guarantee	250 000 cuts or 12 months
Knife lifetime	250 000 cuts
Counter-knife lifetime	250 000 cuts



Health & safety conformity :
Directive 2006/42/CE
(Normes EN 12100/EN 14121)



TECHNICOAT
Solution

solution@cgp-coating.com - www.cgp-coating.com

